



## COMMERCIAL GAS SERVICE PARTS LIST

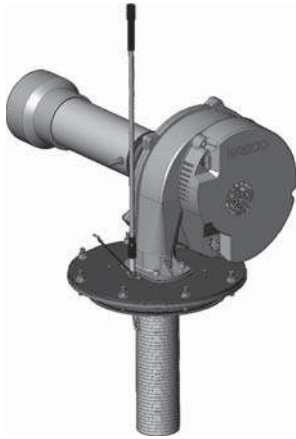
A.O. Smith Water Heater Parts Fulfillment  
125 Southeast Parkway • Franklin, TN 37068  
www.hotwater.com • 1-800-433-2545

**MODELS:**  
BTHL 300(A)  
BTHL 400(A)  
BTHL 500(A)  
**Series:**  
300/301

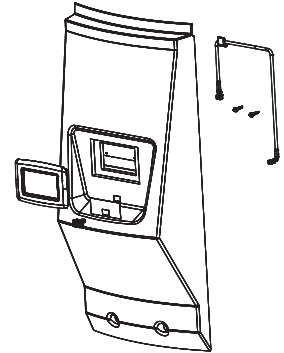
**CYCLONE MXi - MODELS BTHL - 300(A)-500(A)**  
See Page 2



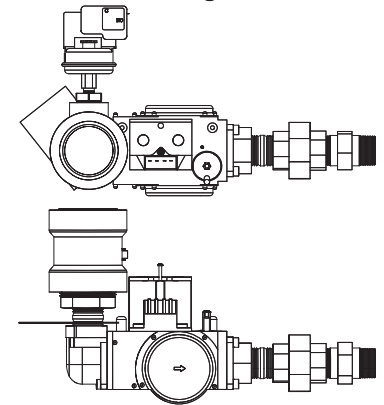
**BLOWER/BURNER ASSEMBLY**  
See Page 5



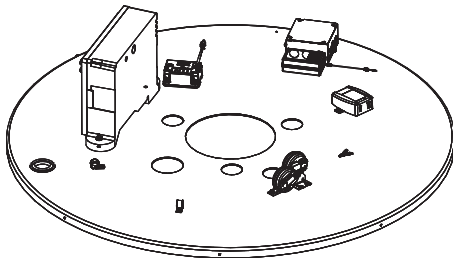
**DISPLAY CONTROL ASSEMBLY**  
See Page 2



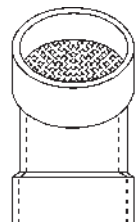
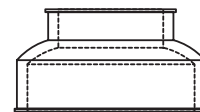
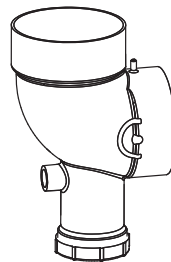
**GAS VALVE**  
See Page 4



**TOP COVER CONTROL ASSEMBLY**  
See Page 3

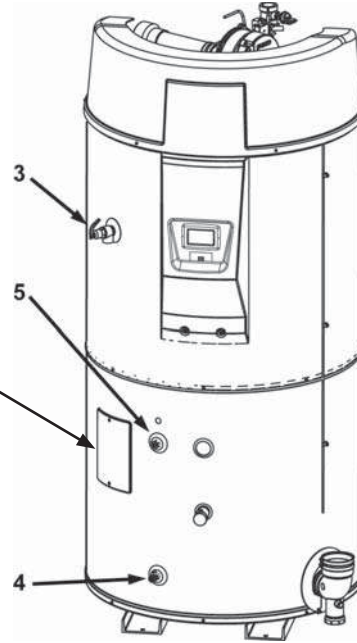
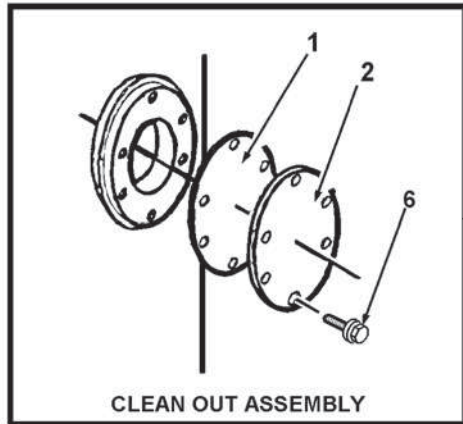


**EXHAUST ELBOW, VENT KIT & BLOWER INTAKE PARTS**  
See Page 6



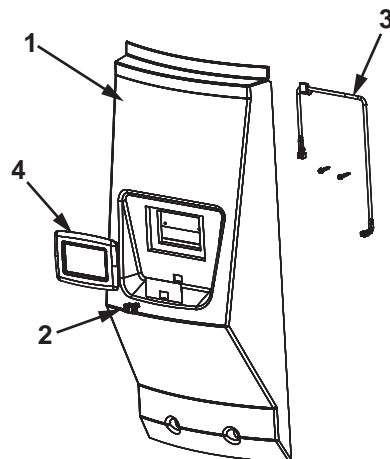
## CYCLONE MXi BTHL 300(A)/400(A)/500(A) - Cleanout Assembly/T&P/Drain Valve Parts

Item	Description	BTHL 300(A) 300/301	BTHL 400(A) 300/301	BTHL 500(A) 300/301
1.....	Cleanout Gasket.....	100109686 .....	100109686 .....	100109686
2.....	Cover, Cleanout.....	100110656 .....	100110656 .....	100110656
3.....	Temperature and Pressure Relief Valve .....	100111596.....	100111596 .....	100111596
4.....	Drain Valve.....	100263911 .....	100263911 .....	100263911
5.....	Lower Temperature Probe .....	100303509 .....	100303509 .....	100303509
6.....	Thread Forming Screws .....	100109688 .....	100109688.....	100109688



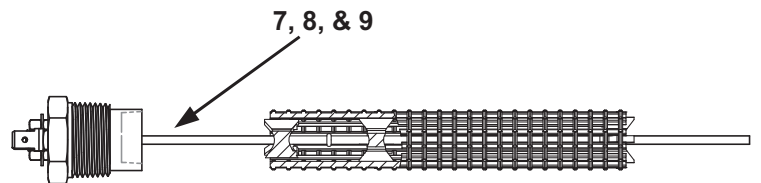
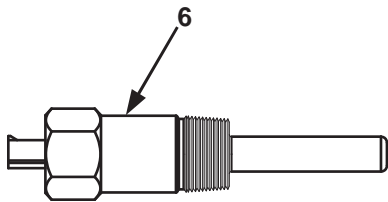
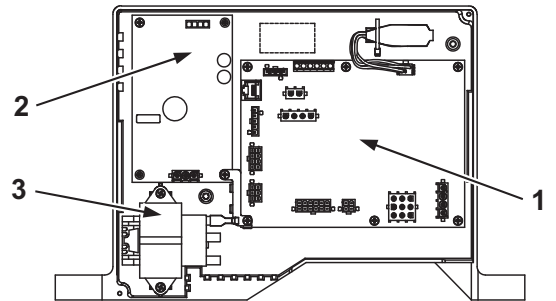
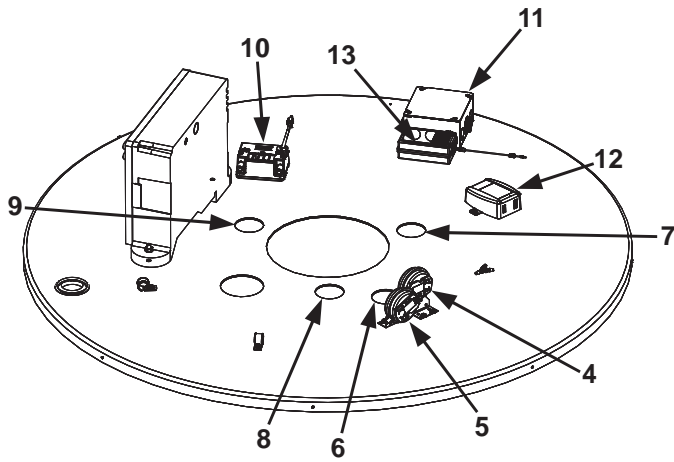
### DISPLAY CONTROL ASSEMBLY

Item	Description	BTHL 300(A) 300/301	BTHL 400(A) 300/301	BTHL 500(A) 300/301
1 .....	Display Cover .....	.....	.....	.....
2 .....	Enable/Disable Switch.....	100096025 .....	100096025.....	100096025
3 .....	Switch Wire Harness .....	.....	.....	.....
4 .....	User Interface Module - UIM .....	100271881 .....	100271881.....	100271881
5 .....	UIM COMM Cable (not shown) .....	.....	.....	.....



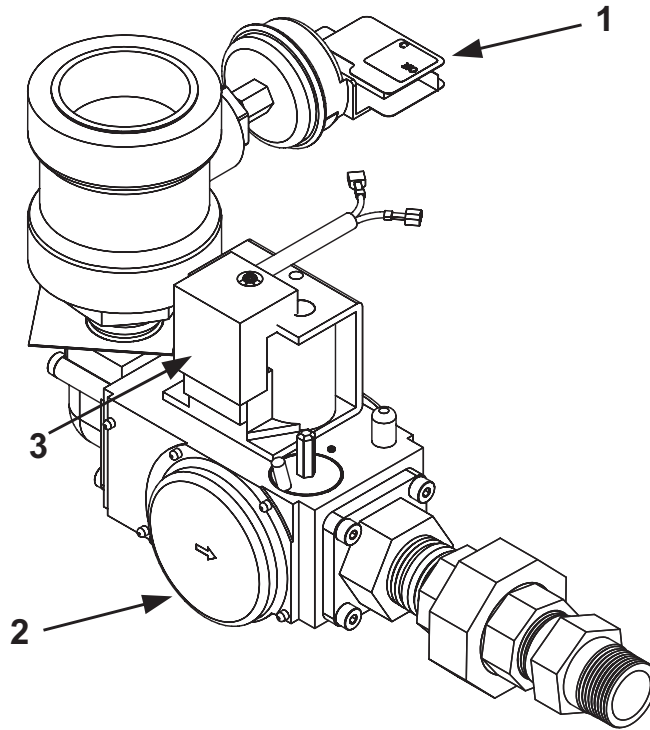
## CYCLONE MXi BTHL 300(A)/400(A)/500(A) - TOP COVER CONTROL ASSEMBLY

Item	Description	BTHL 300(A) 300/301	BTHL 400(A) 300/301	BTHL 500(A) 300/301
1	CCB Board - Programmed	100187861	100187861	100187861
2	Power Supply Board	100113155	100113155	100113155
3	Transformer	100113157	100113157	100113157
4	Blocked Intake Switch	100217965	100217965	100217965
5	Blocked Outlet Switch	100187859	100187859	100187859
6	Upper Temperature / ECO Probe	100271885	100271885	100271885
7	Powered Anode - Short	100187890	100187890	100187890
8	Powered Anode - Long	100111023	100111023	100111023
9	Powered Anode-Mid-Length	100111286	100111286	100111286
10	Spark Ignition Transformer	100271921	100271921	100271921
11	Junction Box Assembly w/Harness	100212439	100212439	100212439
12	Powered Anode Module	100302072	100302072	100302072
13	Power Anode Module Power Supply	100302073	100302073	100302073



## CYCLONE MXi BTHL 300(A)/400(A)/500(A) - GAS VALVE ASSEMBLY

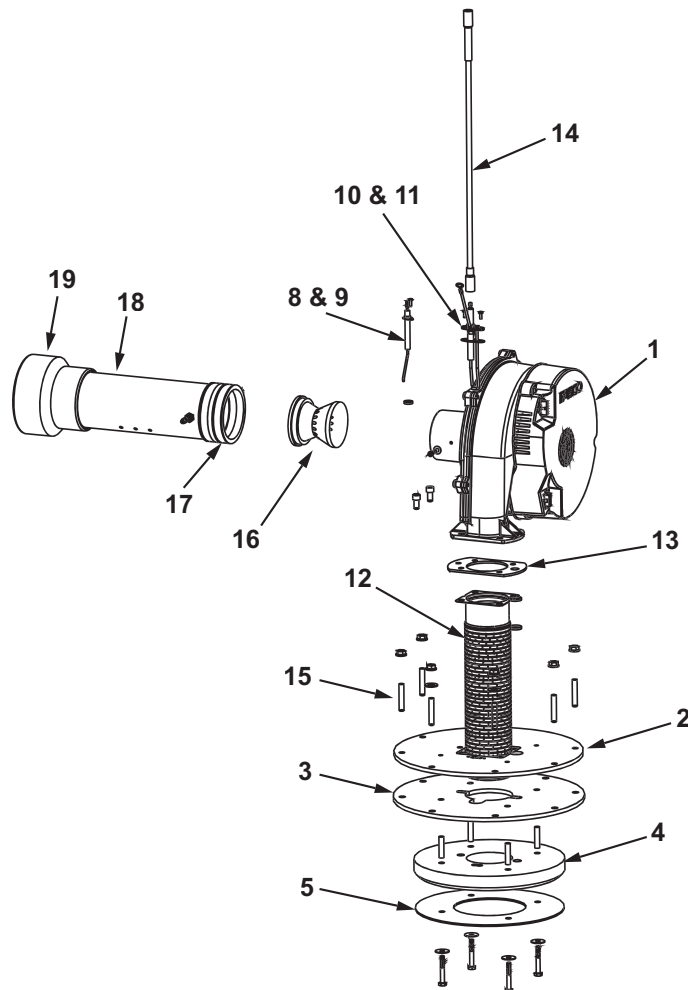
Item	Description	BTHL 300(A) 300/301	BTHL 400(A) 300/301	BTHL 500(A) 300/301
1 .....	Switch, Low Gas Pressure , Natural Gas .....	100111033 .....	100111033 .....	100111033 .....
	LP Gas.....	100111032 .....	100111032 .....	100111032 .....
2 .....	Valve, Gas Natural & LP .....	100187876 .....	100187876 .....	100187876 .....
3 .....	Rectifier Plug Assembly.....	100070208 .....	100070208 .....	100070208 .....



## CYCLONE MXi BTHL 300(A)/400(A)/500(A) BLOWER/BURNER ASSEMBLY

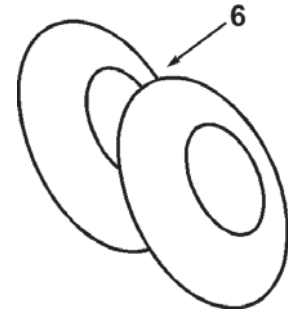
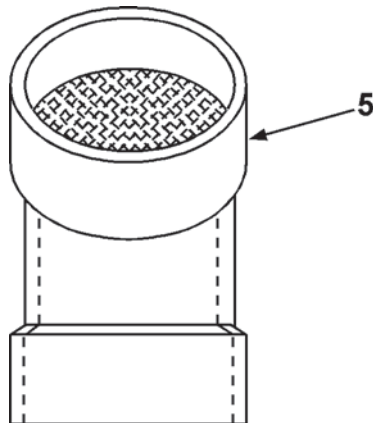
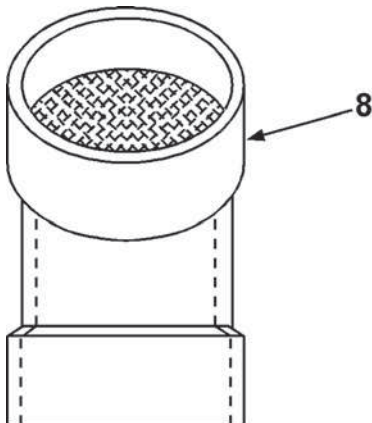
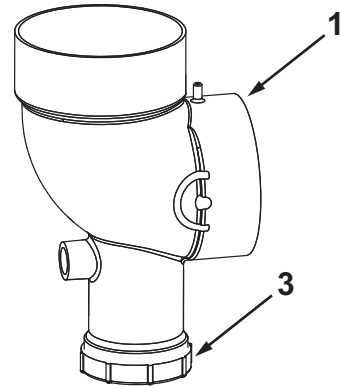
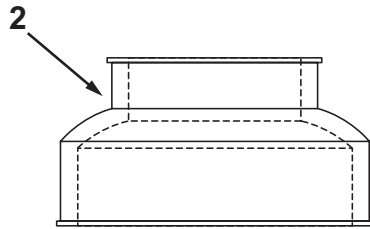
Item	Description	BTHL 300(A) 300/301	BTHL 400(A) 300/301	BTHL 500(A) 300/301
1	Blower Assembly	100271887	100271887	100271887
2	Burner Mounting Plate	100212149	100212149	100212149
3	Burner Plate Gasket	100187878	100187878	100187878
4	Insulation Disk -Pyrolite	100187879	100187879	100187879
5	SS Heat Shield	100187880	100187880	100187880
6	View Port - Glass (Not Shown)	100110901	100110901	100110901
7	View Port Gasket (Not Shown)	100110902	100110902	100110902
8	Flame Sensor Rod	100187882	100187882	100187882
9	Flame Sensor Rod Gasket	100072809	100072809	100072809
10	Spark Rod	100271889	100271889	100271889
11	Spark Rod Gasket	100078771	100078771	100078771
12	Burner	100187883	100187883	100187883
13	Burner/Blower Gasket	100187884	100187884	100187884
14	Spark Ignition Cable*	100271889	100271889	100271889
15	Stud - 5/16-18 x 1-3/4"	100147179	100147179	100147179
16	Blower Intake Venturi	100187885	100187885	100187885
17	Rubber Coupling	100110906	100110906	100110906
18	Intake Tube 3" PVC	100096033	100096033	100096033
19	Blower Intake Reducer Assembly	100187886	100187886	100187886

\*Supplied with Spark Igniter and Spark Ignition Transformer



## 4" EXHAUST CONNECTOR AND VENT KIT ASSEMBLIES - MODELS BTHL 300(A) - 500(A)

Item	Description	BTHL 300(A) 300/301	BTHL 400(A) 300/301	BTHL 500(A) 300/301
<b>EXHAUST ELBOW AND FITTINGS</b>				
1	Exhaust/Condensate Elbow Assembly	100187863	100187863	100187863
2	Connector, Exhaust	100110908	100110908	100110908
3	Condensate Trap Gasket	100228369	100228369	100228369
4	Coupling, Exhaust, Rubber	100050246	100050246	100050246
<b>VENT KIT PARTS</b>				
5	Intake/Exhaust Vent Terminal	100110909	100110909	100110909
6	Wall Plates (2 required)	100110910	100110910	100110910
7	Silicone Sealer, 2 oz. tube	100109821	100109821	100109821
8	Exhaust Vent Terminal (Canada)	100111103	100111103	100111103



**NOTES:**



A.O. Smith Water Heater Parts Fulfillment  
125 Southeast Parkway  
Franklin, TN 37068  
1-800-433-2545  
[www.hotwater.com](http://www.hotwater.com)